

Low $V_{CE(SAT)}$ Power Transistor in a SOT-223



CZT7090L

features →



- Bipolar Power Transistor in a small signal package
- Energy Efficient Device for portable battery powered applications

description →

The Central Semiconductor CZT7090L is a Low $V_{CE(SAT)}$ PNP Power Transistor designed for DC-DC converters for mobile systems, mobile LAN cards, motor control, power management and for strobe flash units. The CZT7090L is a POWER 223 device packaged in the SOT-223 surface mount case.

For further information contact Central's Sales Department at: (631) 435-1110.

Sample devices
are available
upon request.




SOT-223
Actual Size

selection guide →

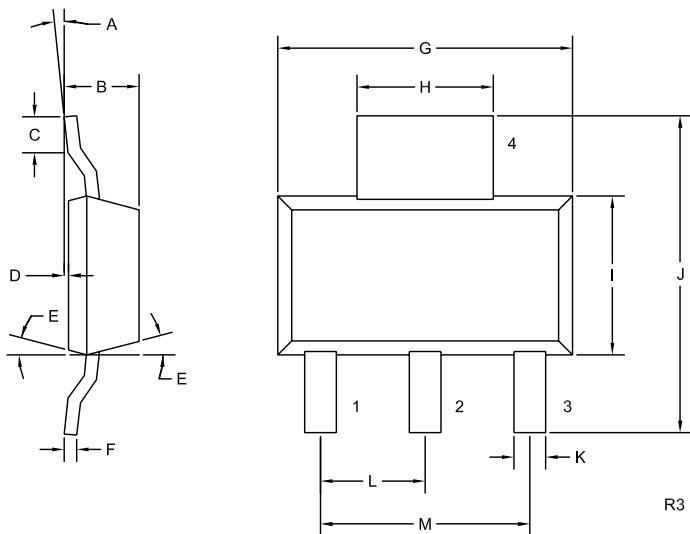


Low $V_{CE(SAT)}$ Power Transistor in SOT-223

TYPE NO.	DESCRIPTION	I_C (A) MAX	P_D (W)	BV_{CBO} (V) MIN	BV_{CEO} (V) MIN	h_{FE}		@ I_C (A) MAX	$V_{CE(SAT)}$ (V)		@ I_C (A)	f_T (MHZ) MIN	CASE SIZE
						MIN	MAX		TYP.	MAX			
CZT7090L	3 Amp, Low $V_{CE(SAT)}$ PNP Power Transistor	3.0	2.0	50	40	180	-	1.0	0.175	0.45	1.0	100	 SOT-223

Low VCE(SAT) Power Transistor in a SOT-223

Mechanical Specifications - SOT-223



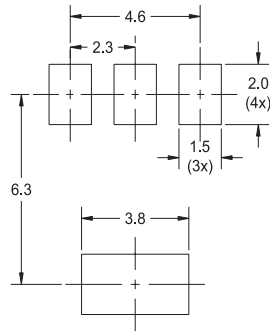
SYMBOL	DIMENSIONS			
	INCHES		MILLIMETERS	
	MIN	MAX	MIN	MAX
A	0°	10°	0°	10°
B	0.059	0.071	1.50	1.80
C	0.018	---	0.45	---
D	0.000	0.004	0.00	0.10
E	15°		15°	
F	0.009	0.014	0.23	0.35
G	0.248	0.264	6.30	6.70
H	0.114	0.122	2.90	3.10
I	0.130	0.146	3.30	3.70
J	0.264	0.287	6.70	7.30
K	0.024	0.033	0.60	0.85
L	0.091		2.30	
M	0.181		4.60	

LEAD CODE:
 1) Base
 2) Collector
 3) Emitter
 4) Collector

MARKING CODE:
 Full Part Number

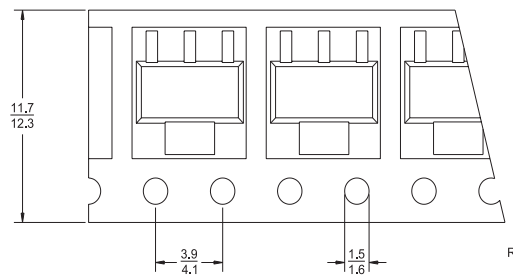
SOT-223 (REV: R3)

Mounting Pad Geometry (Dimensions in mm)



Tape Dimensions and Orientation (Dimensions in mm)

Tape Width:
12mm



* Devices are taped in accordance with Electronic Industries Association Standard EIA-481-1-A

Direction of Unreeling

Packaging Base

7" Reel = 1,000 pcs. (add TR suffix to part number)
 13" Reel = 4,000 pcs. (add TR13 suffix to part number)
 Bulk = 250 pcs. (add BK suffix to part number)

Ordering Information

- For devices taped and reeled on 7" reels, add TR suffix to part number.
- For devices taped and reeled on 13" reels, add TR13 suffix to part number.
- For devices bulk packed, add BK suffix to part number.
- All SMDs are available bulk packed, for prototype and manual placement applications.

CentralTM
Semiconductor Corp.

**Innovations in Discrete
Semiconductors**

For complete package details, please visit:
www.centalsemi.com/package/details

For further information contact:
 Sales at Central Semiconductor Corp.
 (631) 435-1110 or visit our website at:
www.centalsemi.com

145 Adams Avenue • Hauppauge • New York • 11788 • USA • Tel:(631) 435-1110 • Fax: (631) 435-1824

PA CZT7090L